

Spring-return actuator for fire and smoke dampers 90° in ventilation and air-conditioning systems

- Nominal torque 4 Nm / 3 Nm
- Nominal voltage AC/DC 24 V
- Control modulating
- Spindle driver Form fit 12x12 mm, Continuous hollow shaft


Technical data

Electrical data	Nominal voltage	AC/DC 24 V
	Nominal voltage frequency	50/60 Hz
	Nominal voltage range	AC 19.2...28.8 V / DC 21.6...28.8 V
	Power consumption in operation	2.5 W
	Power consumption in rest position	1 W
	Power consumption for wire sizing	6.5 VA
	Power consumption for wire sizing note	I _{max} 8.3 A @ 5 ms
	Auxiliary switch	2 x SPDT
	Switching capacity auxiliary switch	1 mA...3 (0.5 inductive) A, AC 250 V
	Switching points auxiliary switch	5° / 80°
	Connection supply / control	Cable 1 m, 4 x 0.75 mm ² (halogen-free)
	Connection auxiliary switch	Cable 1 m, 6 x 0.75 mm ² (halogen-free)
	Functional data	Nominal torque
Torque spring return		3 Nm
Positioning signal Y		DC 0...10 V
Operating range Y		DC 2...10 V
Input Impedance		100 kΩ
Position feedback U		DC 2...10 V
Position feedback U note		Max. 0.5 mA
Position accuracy		±5%
Direction of rotation motor		Can be selected by mounting L/R
Manual override		with position stop
Angle of rotation		Max. 95°
Running time motor		<60 s / 90°
Running time spring-return		20 s @ -10...55 °C / <60 s @ -30...-10 °C
Sound power level, motor		<43 dB(A)
Sound power Level, spring-return		<62 dB(A)
Spindle driver		Form fit 12x12 mm, Continuous hollow shaft
Position indication		Mechanically, with pointer
Service life	Min. 60,000 safety positions	
Safety	Protection class IEC/EN	III Safety Extra-Low Voltage (SELV)
	Protection class auxiliary switch IEC/EN	II reinforced insulation
	Degree of protection IEC/EN	IP54 in all mounting positions
	EMC	CE according to 2014/30/EU
	Low voltage directive	CE according to 2014/35/EU
	Certification IEC/EN	IEC/EN 60730-1 and IEC/EN 60730-2-14
	Mode of operation	Type 1.AA.B
	Control pollution degree	3
	Ambient temperature normal operation	-30...55 °C
	Ambient temperature safety operation	The safety position will be attained up to max. 75 °C
	Non-operating temperature	-40...80 °C
	Ambient humidity	Max. 95% r.h., non-condensing
	Maintenance	Maintenance-free
Weight	Weight	1.1 kg

Safety notes



- The device must not be used outside the specified field of application, especially not in aircraft or in any other airborne means of transport.
- The actuator is adapted and installed on the fire and smoke damper by the damper manufacturer. For this reason, the actuator is only supplied directly to safety damper manufacturers. The manufacturer then bears full responsibility for the proper functioning of the damper.
- The two switches integrated in the actuator are to be operated either on power supply voltage or at safety extra-low voltage. The combination power supply voltage/safety extra-low voltage is not permitted.
- Cables must not be removed from the device.
- The device may only be opened at the manufacturer's site. It does not contain any parts that can be replaced or repaired by the user.
- The device contains electrical and electronic components and must not be disposed of as household refuse. All locally valid regulations and requirements must be observed.

Product features

Mode of operation	The actuator is controlled with a standard signal of DC 0...10 V and moves the damper to the operating position at the same time as tensioning the return spring. The damper is turned back to the safety position by spring energy if the supply voltage is interrupted.
Safety Position Lock	The Safety Position Lock™ reliably holds the fire damper in the safety position in case of fire therefor ensuring maximum safety. The technical solution for this function of the BFL and BFN actuators has a patent pending.
Signalling	Two microswitches with fixed settings are installed in the actuator for indicating the damper end positions. The electrical contacts of these microswitches are equipped with a gold/silver coating that permits integration both in circuits with low currents (mA range) and in ones with larger-sized currents (A range) in accordance with the specifications in the data sheet. It should be noted with this application however that the contacts can no longer be used in the milliampere range after larger currents have been applied to them, even if this has taken place only once. The position of the damper blade can be read off on a mechanical position indication.
Manual operation	The damper can be actuated manually in deenergised state and fixed in place at any position. Unlocking is manual or automatic by applying the supply voltage. If manual operation is used when supply voltage is present, the actuator first moves to the emergency position for checking and then to the position as defined by positioning signal Y. During this self-check, the motor running time is increased to 100 s and the measuring voltage remains at 2 V.
Standards / regulations	The design of the actuator is based on the specific requirements from the European standards: - EN 15650 Ventilation for buildings – Fire dampers - EN 1366-2 Fire resistance tests on service installations (Part 2: Fire dampers) - EN 13501-3 Fire classification of construction products and building elements (Part 3: Classification using data from fire resistance tests on products and elements used in building service installations: fire resisting ducts and fire dampers)
Recommendation for application	Regular operational checks (open-close control of the fire damper) enhance the safety of people, animals, property and the environment. Unless other requirements are stipulated – e. g. in the damper manufacturer's operating instructions – Belimo recommends the performance of monthly operational checks. Fire damper actuators from Belimo are designed in accordance with service life specifications contained in the technical data sheet for regular operational checks. Notes for regular operational checks can be found in the European Product Standard for Fire Dampers (EN 15650) under "Maintenance information".
Delivery notes	incl. Hand crank Pointer Protective bag Form fit insert 12/10 mm

Accessories

	Description	Type
Electrical accessories	Auxiliary switch 2 x SPDT	SN2-C7
Mechanical accessories	Bracket for auxiliary switch (SN2-C7) for BFL, BFN	ZSN-B

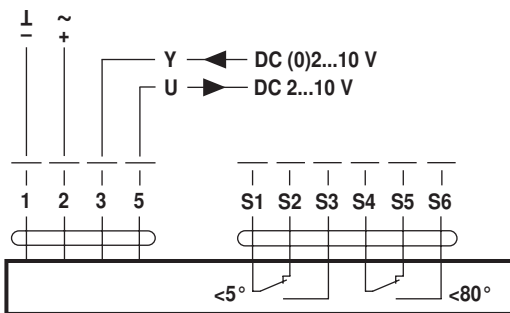
Electrical installation

Notes

- Connection via safety isolating transformer.
- Parallel connection of other actuators possible. Observe the performance data.
- Combination of power supply voltage and safety extra-low voltage not permitted at the both auxiliary switches.

Wiring diagrams

AC/DC 24 V, modulating



Cable colours:

- 1 = black
- 2 = red
- 3 = white
- 5 = orange

- S1 = violet
- S2 = red
- S3 = white
- S4 = orange
- S5 = pink
- S6 = grey

Dimensions [mm]

Dimensional drawings

