

Spring return actuator for the operation of air dampers that perform safety functions (e.g. frost and smoke protection, hygiene, etc.) for building services installations

- For dampers up to approx. 0.4 m²
- Torque 2 Nm
- Nominal voltage AC 24 V
- Control: 3-point



Technical data

Electrical data	Nominal voltage	AC 24 V, 50/60 Hz
	Nominal voltage range	AC 19.2 ... 28.8 V
	Power consumption	In operation 2.5 W @ nominal torque At rest 1 W For wire sizing 4 VA
	Connection	Cable 1 m, 4 x 0.75 mm ²
Functional data	Torque	Motor Min. 2 Nm @ nominal voltage Spring return Min. 2 Nm
	Direction of rotation	Motor Selectet with switch ↻ bzw. ↺ Spring return Selected by mounting L / R
	Angle of rotation	Max. 95° ↻ (adjustable 37 ... 100% ↻ with built-in mechanical stop)
	Running time	Motor < 150 s (0 ... 2 Nm) Spring return < 25 s @ -20 ... 50 °C / max. 60s @ -30 °C
	Sound power level	Motor Max. 35 dB (A) Spring return Approx. 62 dB (A)
	Service life	Min. 60'000 operations
	Position indication	Mechanical
	Safety	Protection class
Degree of protection		IP42 in any mounting position
EMC		CE according to 89/336/EEC
Mode of operation		Type 1.AA (to EN 60730-1)
Overvoltage category		III
Control pollution degree		3
Ambient temperature range		-30 ... +50 °C
Non-operating temperature		-40 ... +80 °C
Ambient humidity range		95% r.H., non-condensating (EN 60730-1)
Maintenance		Maintenance-free
Dimensions / Weight	Dimensions	See «Dimensions» on page 2
	Weight	Approx. 600 g

Safety notes



- The spring return actuator is not allowed to be used outside the specified field of application, especially not in aircraft or any other form of air transport.
- Assembly must be carried out by trained personnel. Any legal regulations or regulations issued by authorities must be observed during assembly.
- The device may only be opened at the manufacturer's site. It does not contain any parts that can be replaced or repaired by the user.
- The cable must not be removed from the device.
- The device contains electrical and electronic components and is not allowed to be disposed of as household refuse. All locally valid regulations and requirements must be observed.

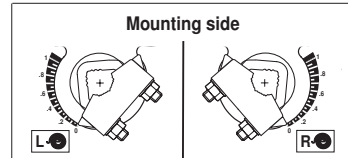
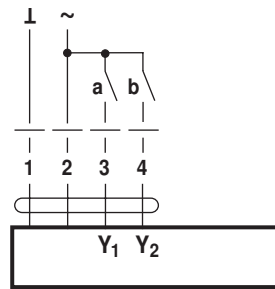
Product features

- Mode of operation** The TF24-3 is controlled by a 3-point signal. The actuator moves the damper to its normal working position while tensioning the return spring at the same time. If the power supply is interrupted, the energy stored in the spring moves the damper back to its safe position.
- Simple direct mounting** Simple direct mounting on the damper spindle with a universal spindle clamp. An antirotation device is supplied to prevent unwanted rotation of the whole unit.
- High functional reliability** The actuator is overload-proof, requires no limit switches and automatically stops when the end stop is reached.

Electrical installation

Wiring diagram / Direction of rotation

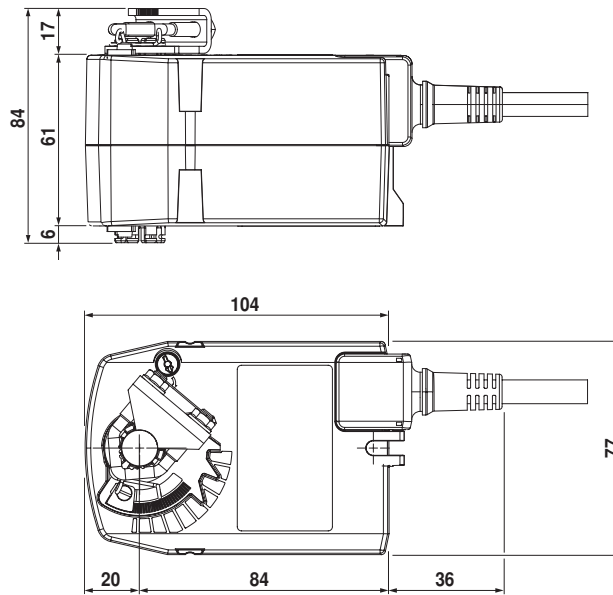
- Notes**
- Connection via safety isolating transformer.
 - Other actuators can be connected in parallel. Please note the performance data.

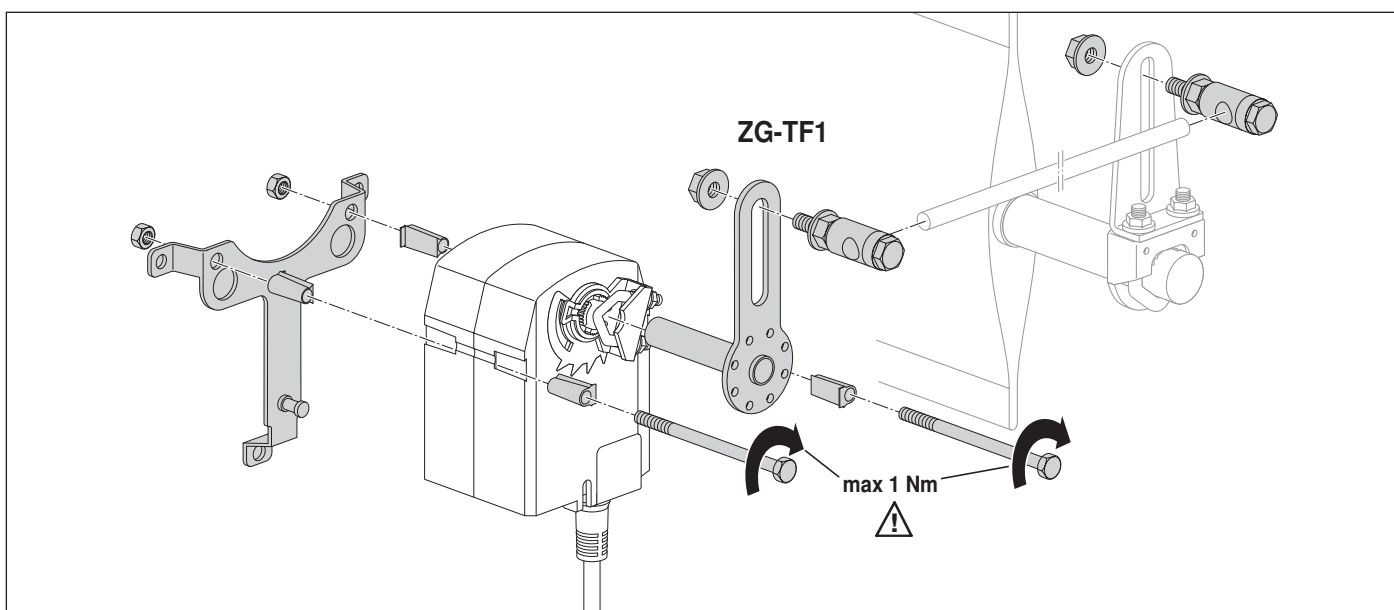
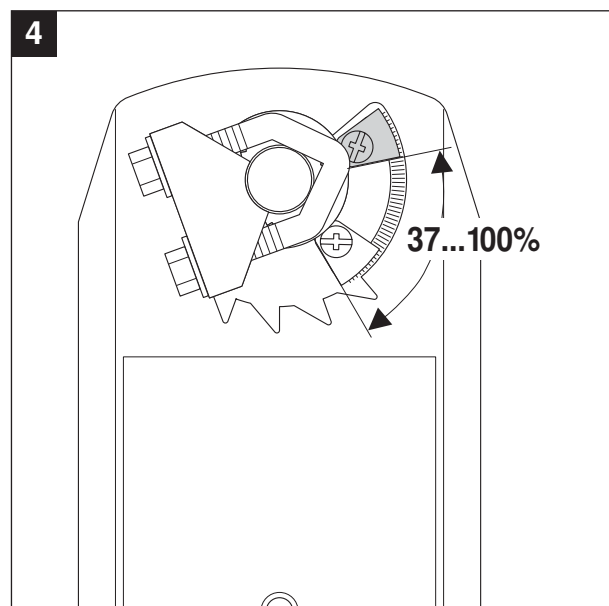
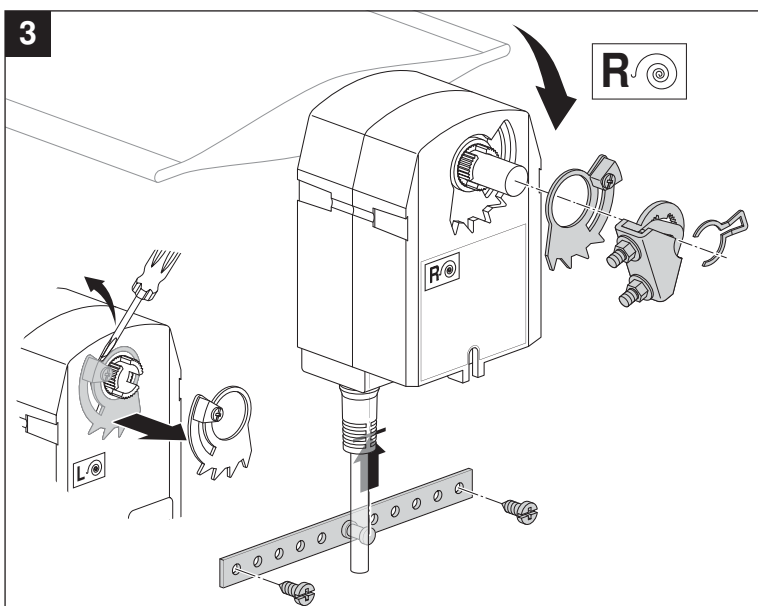
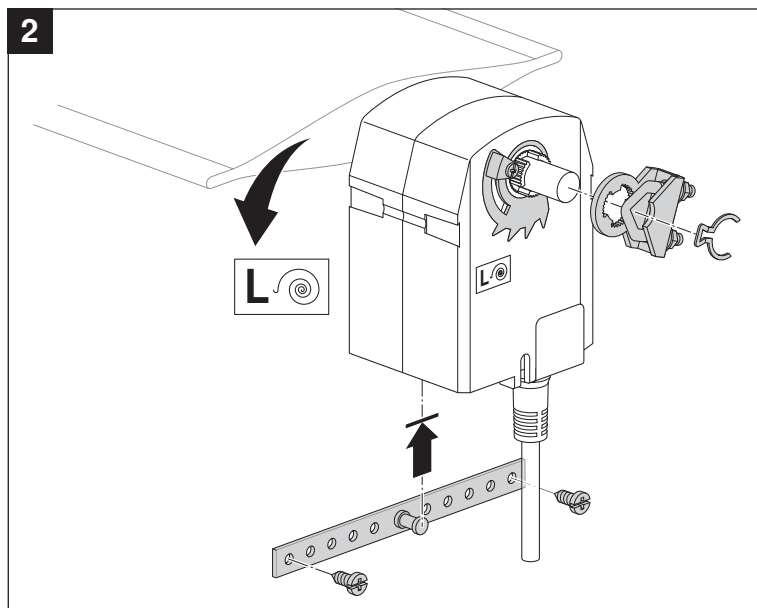
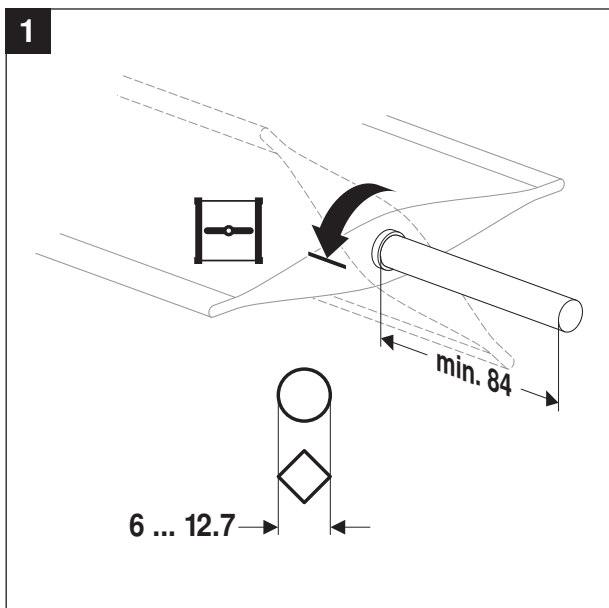


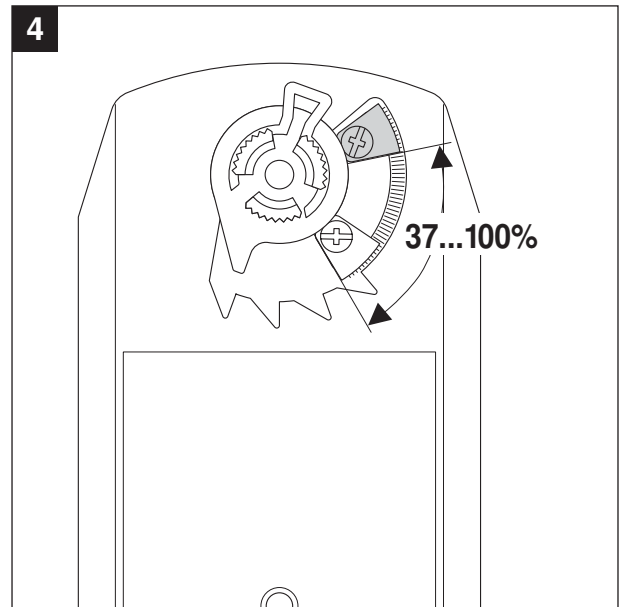
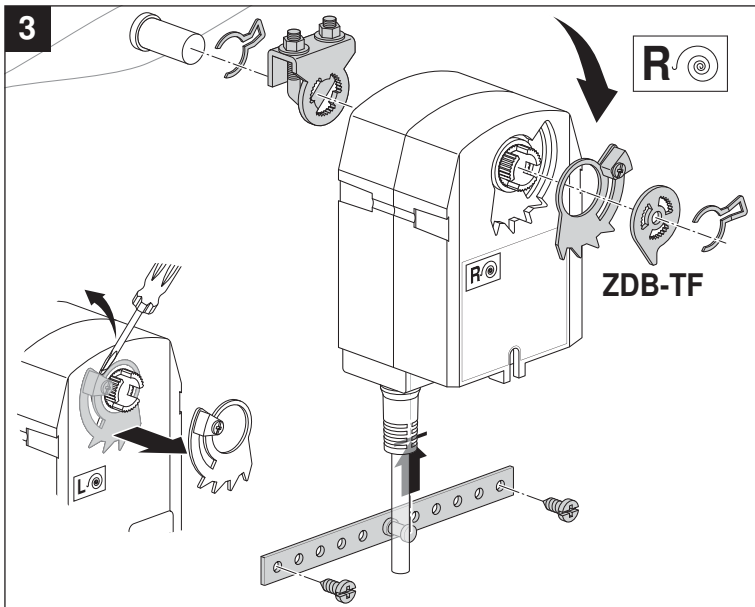
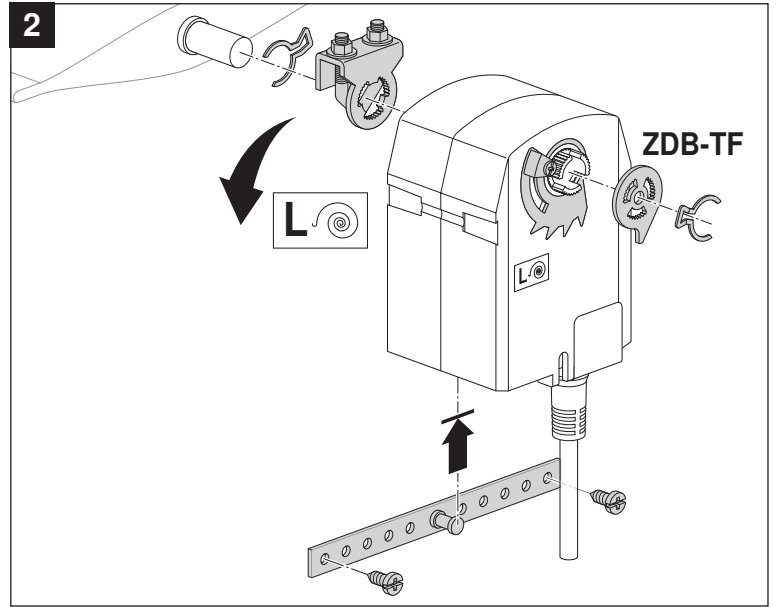
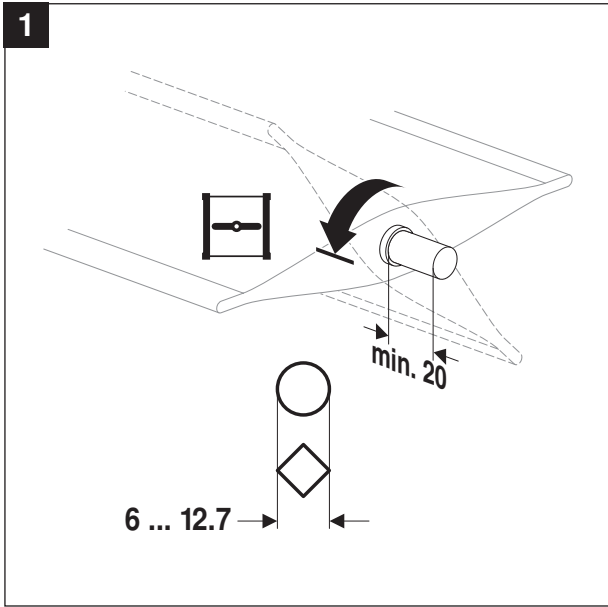
		Reversing switch			
a (Y1)	b (Y2)				
		stop	stop	stop	stop

Dimensions [mm]

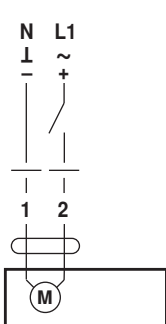
Dimensional drawings



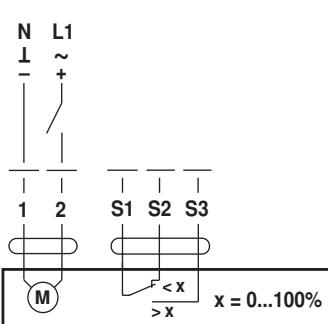




AC 230 V
AC 24 V / DC 24 V

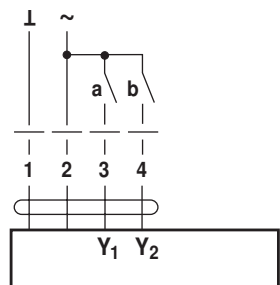


TF230 / TF24

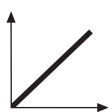


TF230-S / TF24-S

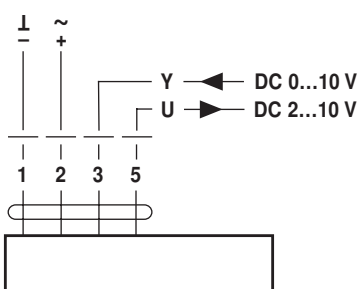
AC 24 V



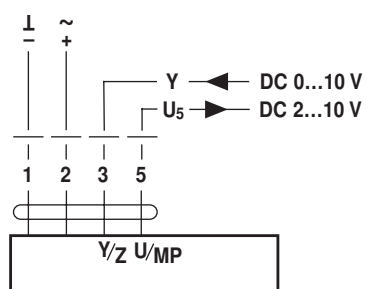
TF24-3



AC 24 V / DC 24 V



TF24-SR



TF24-MFT